

### Description

**Worldwide licence exempt:** 2.4GHz operating frequency

**Range Min:** not less than 100m

**Battery working life:** Active not less than 36 hours (full charge and turn off backlight)

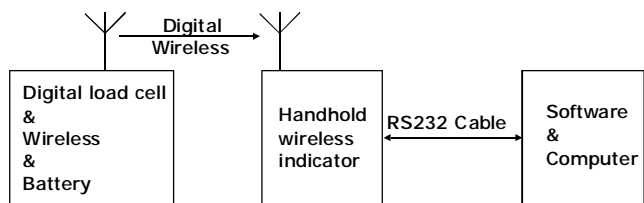
**Display:** LCD 128\*64 with backlighting  
show weight value: 6 bit  
show working life of battery  
show strength of signal

**Hold on the peak value** Can contact with computer by RS232



### Work Principle

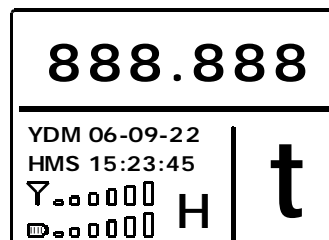
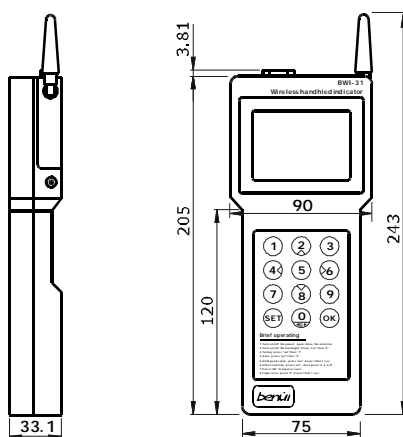
First, the load cell's out-put signal is digital, Digital compensation and temperature compensation will be finished in internal. Though 2.4G wireless module to launch after reasonable encoding.



Handheld receive load cell output and its internal battery power consumption values then show them on the LCD display, and handheld through the RS232 output to a computer or large-screen display. If necessary, Multi-channel working can be changed, One handheld can be connected to up to 16 sensors.

### Dimensions

(1n mm. 1mm = 0.03937 inches)



Display

