

Description

Input:

Analog 1 ~ 3mV/V.
Input resistance: 350 ~ 1500Ω

Output:

Wireless
Digital: 30,000 or 100,000d.

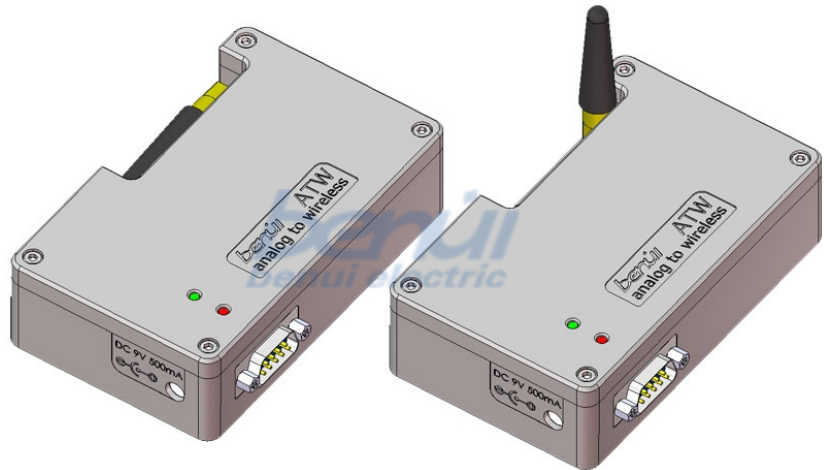
Worldwide licence

exempt:

2.4GHz operating frequency

Range Min:

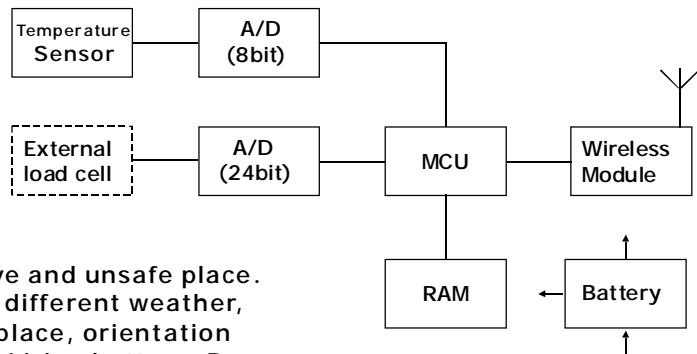
Not less than: 100m



Circuit Diagram

Electrical Termination

Worldwide licence exempt:
2.4GHz operating frequency
Range Min: not less than 100m
Battery working life: Active not less than 70 hours (full charge)
Battery type: Li-ion Rechargeable



Notice:

Do not use the wireless load cell in explosive and unsafe place. The wireless range will be affected when in different weather, the load cell with the indicator in different place, orientation or obstruct from. For charger : according to Li-ion battery. Do not excess discharge!

Dimensions

(In mm. 1mm = 0.03937 inches)

