

### Description

**Output:** semiduplex RS485,  
Can connect to PC or indicator.  
30,000d or 100,000d.

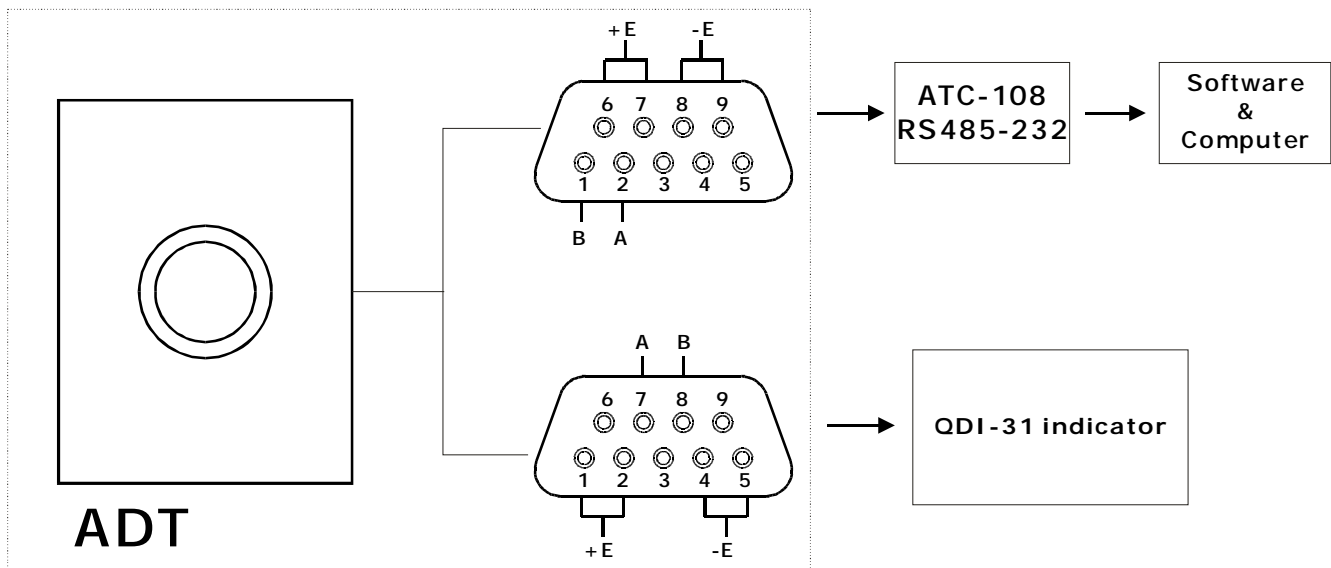
**Adjustable rang:** 10 circles.

**Accuracy:** C1  
just for testing indicator or  
show thathow to work in the  
digital system.



### How to using

There are two DB9 socket in the ADT, one is for computer, another one is for QDI indicator.  
There are two signs on the DB9 accordingly.



**Note:**

Do not connect ADT with computer and indicator synchronously.